

EW 58078194

Bill's 3/4 WWII WC Front Dodge Power Wagon Axle
#60028133



FRONT DRIVING AXLE

PARTS BOOK

For All Models

EW 59018121

GENERAL INFORMATION

Indented parts in the descriptive list are a part of the preceding assembly or sub-assembly.

The quantity shown in the "number required" column is number of parts used on a machine except where parts are indented in descriptive list. In this case the quantity shown is the number required for the preceding assembly or sub-assembly.

If no model number appears in model and remarks column it means that particular part fits all models. When a model number does appear it fits only those listed.

MODEL NUMBER IDENTIFICATION

MODEL	SERIAL NUMBER	MODEL	SERIAL NUMBER
8600	60128271 last unit built in 1960	1800	60111236 last unit built in 1960
8600	61018272 first unit built in 1961	1800A	61021237 first unit built in 1961
8600	61018273	1800A	61021238
8600	61018274	1800A	61021239
8600	61018275	1800A	61021240
8600	61018276	1800A	61021241
8600A	61018277	1800A	61021242
8600A	61018277	1800A	61021242
8600A	61018278	1800A	61021242
8600A	61028279	1800A	61021243
8600A	61028280	1800A	61021243
8600A	61028281	1800A	61021244
8600A	61028282	1800A	61021244
8600A	61028283	1800A	61021245
8600A	61028284	1800A	61021246
		1800A	61021247
		1800A	61021248

Units issued in 1961 prior to introduction of new serial numbering system

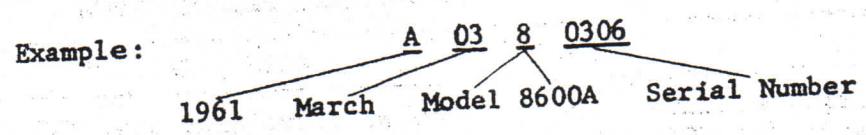
Units issued in 1961 prior to introduction of the new serial numbering system

New numbering system begins with Serial Number A0110300

In the new system numbers run consecutive inclusive of all models. The fourth digit indicates model number, 1 = 1800A or the new 304, 8 = 8600A or the new 308 and 7 = 7700A.

Example: A0110300, the fourth digit is a one which means S.N. is for 1800A
 A0380306, the fourth digit is an eight which means S.N. is for 8600A
 A0770381, the fourth digit is a seven which means S.N. is for 7700A

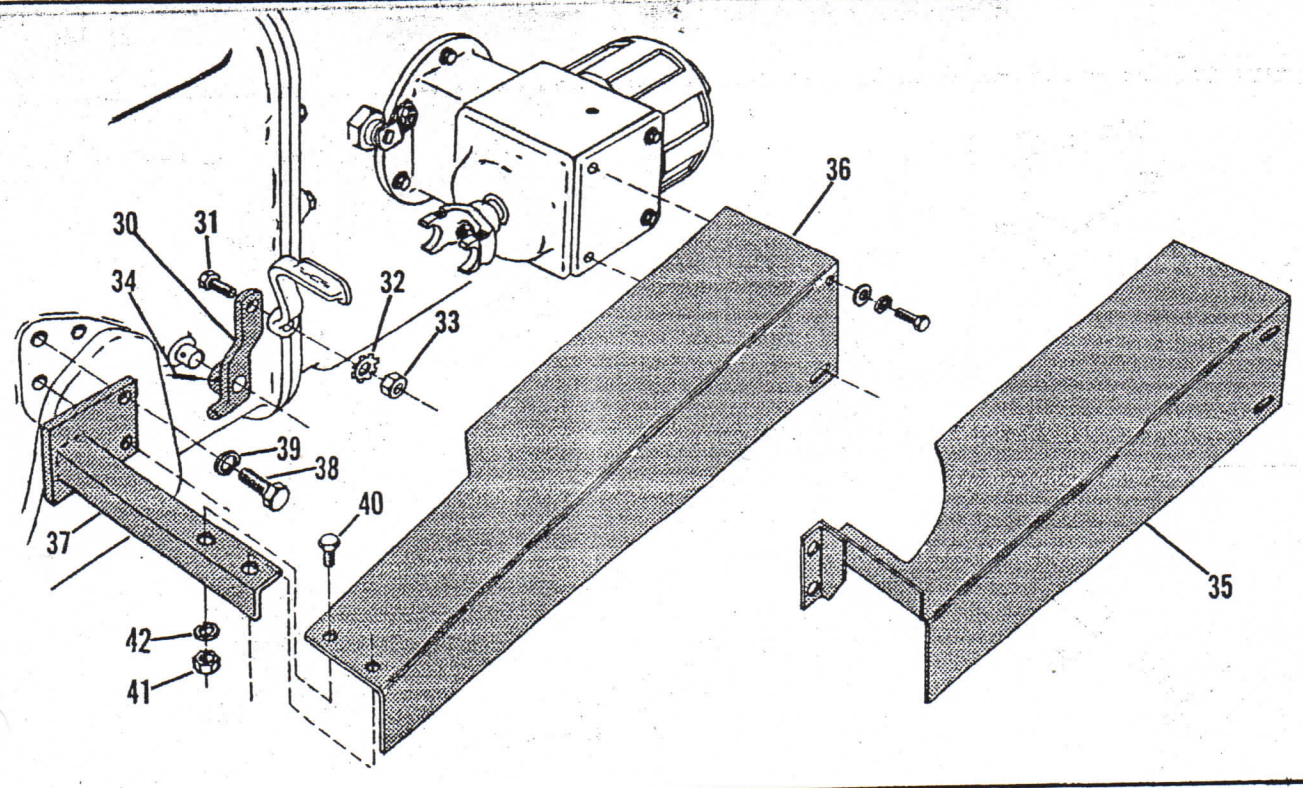
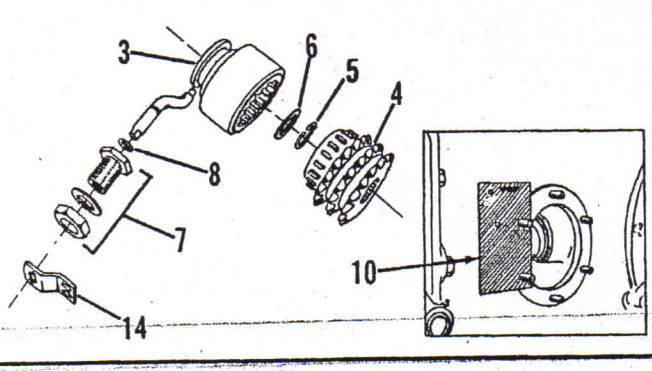
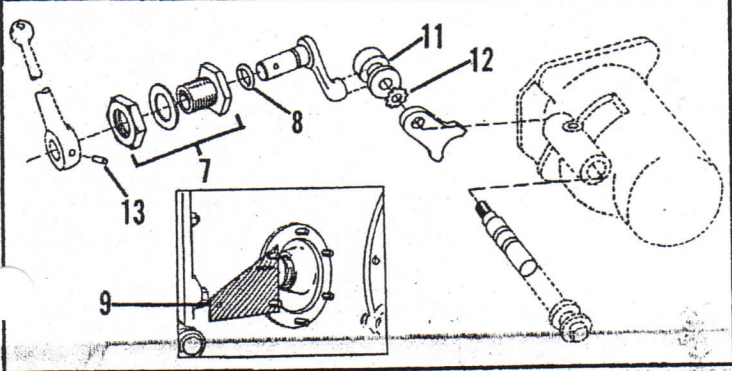
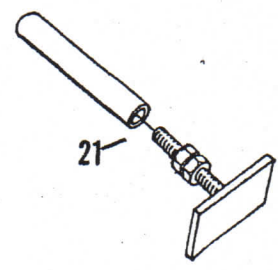
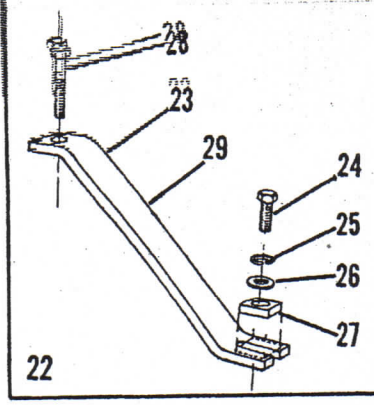
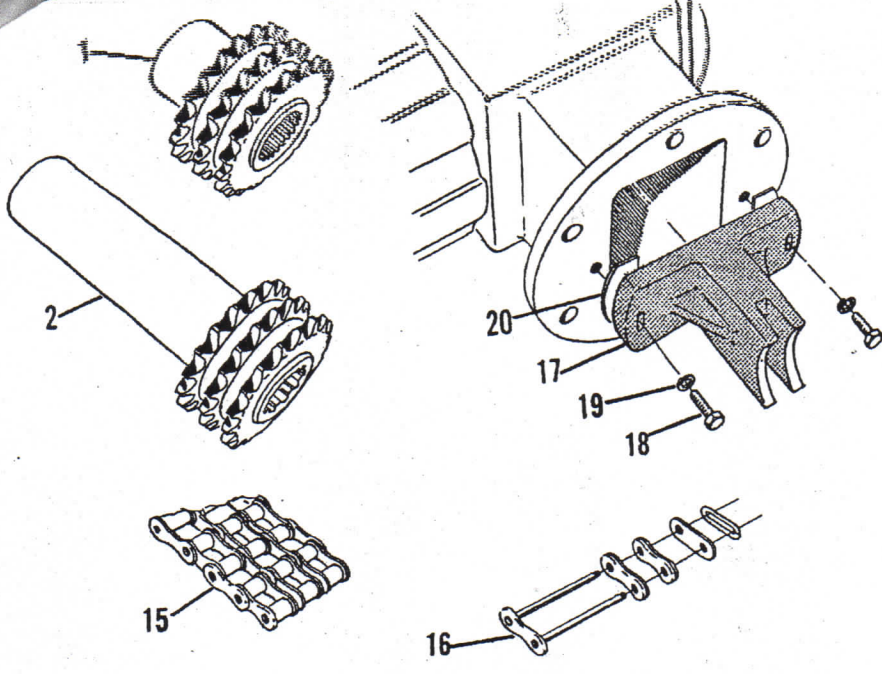
The first letter "A" indicates the year 1961, (B= 1962, etc.) in which the unit was built. The second and third digit indicates the month unit was built. The last four digits indicate actual serial number.



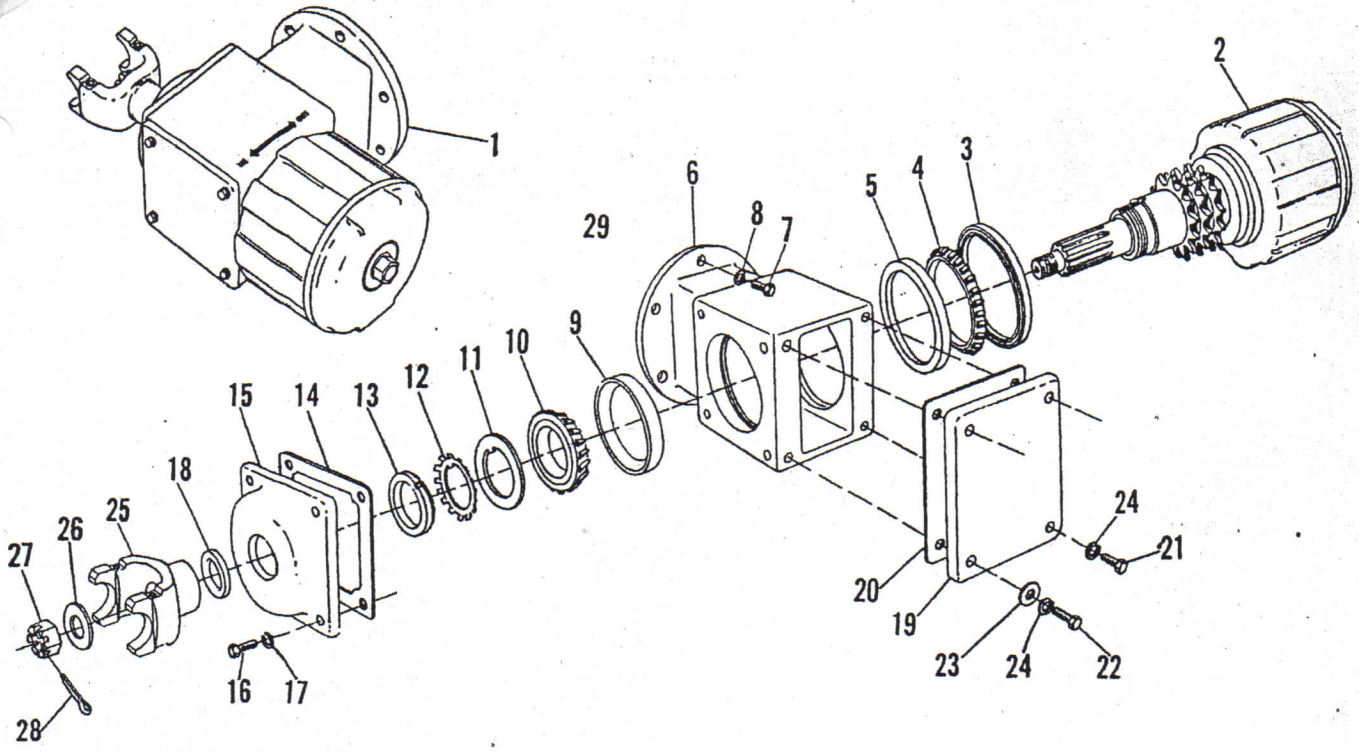
DRIVE SHAFT DESIGN CHANGES

GROUPED ACCORDING TO SERIAL NUMBER FOR EASY IDENTIFICATION

- 1800 Group 1 - Up to and including Serial Number 60081214
- 1800 Group 2 - Serial Number 60091215 to 60111236 inclusive
- 1800A Group 3 - Serial Number 61021237 to 61021248 and
A0210302, A0310324, A0310325, A0310326
A0310327, A0410337, A0410338
- 1800A Group 4 - Serial Number A0410339 to A1010408 inclusive.
-
- 8600 Group 1 - Up to and including Serial Number 60118265
- 8600 Group 2 - Serial Number 60128266 to 61018276 inclusive
- 8600A Group 3 - Serial Number 61018277 to 61028284 inclusive
and A0380305 to A0480336 inclusive.
- 8600A Group 4 - Serial Number A0410339 to A1080406 and up.
-
- 7700 Group 1 - Up to and including 60127068
- 7700A Group 4 - A0570350, A0570351, A0770381, A1070407.

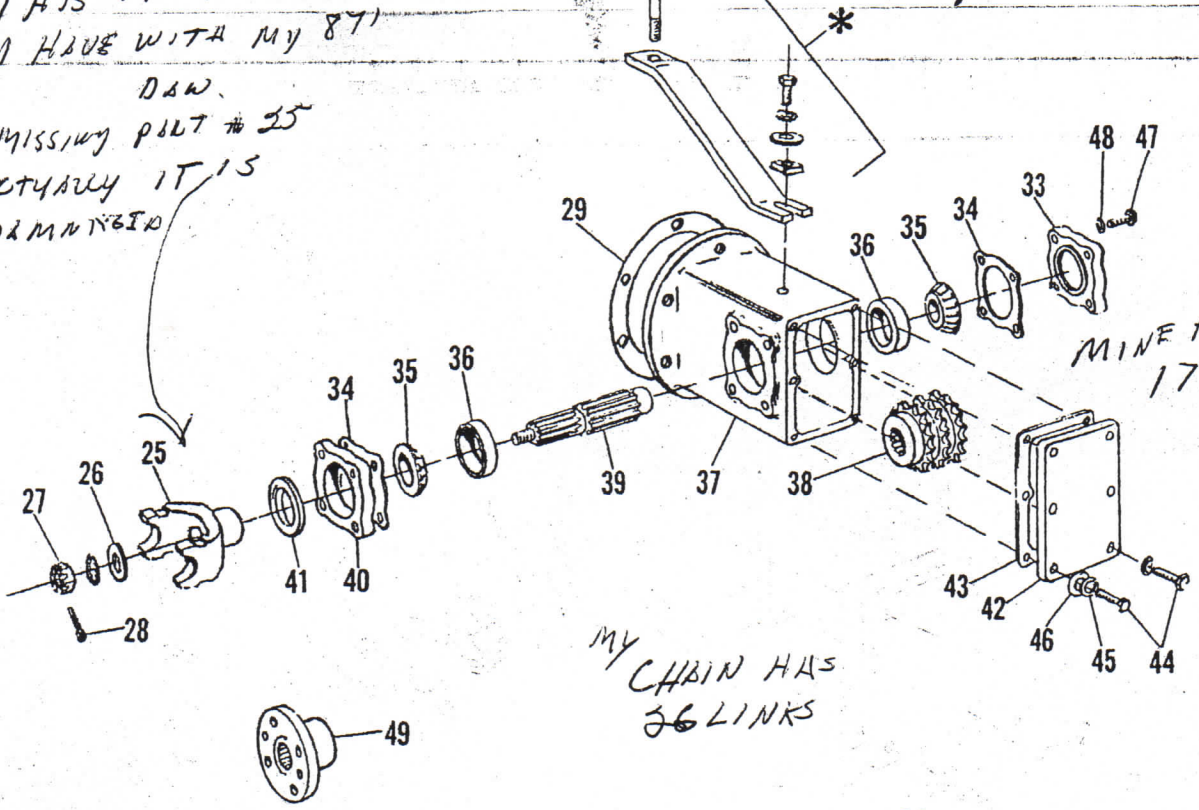


REF. NO	PART NO	PART NAME		
1	1020-10	Drive Sprocket - 19 Tooth - 10 Spline - 5 Speed Tractor Trans.	1	
1	1020-23	Drive Sprocket - 19 Tooth - 23 Spline - 5 Speed Tractor Trans.	1	
2	1021-10	Drive Sprocket - 19 Tooth - 10 Spline - 4 Speed Tractor Trans.	1	
2	1021-23	Drive Sprocket - 19 Tooth - 23 Spline - 4 Speed Tractor Trans.	1	
1	4127-10	Drive Sprocket - 18 Tooth - 10 Spline - 5 Speed Tractor Trans.	1	
1	4127-23	Drive Sprocket - 18 Tooth - 23 Spline - 5 Speed Tractor Trans.	1	
2	4126-10	Drive Sprocket - 18 Tooth - 10 Spline - 4 Speed Tractor Trans.	1	
2	4126-23	Drive Sprocket - 18 Tooth - 23 Spline - 4 Speed Tractor Trans.	1	
3	4022	Gear, Drive Sprocket - 10 Speed Tractor Trans. Use w/4021, 4173	1	
4	4021	Drive Sprocket - 19 Tooth - 10 Speed Tractor Trans.	1	
4	4173	Drive Sprocket - 18 Tooth - 10 Speed Tractor Trans.	1	
5	4018	Snap Ring, Retainer - Used in 4021 & 4173	1	
6	4055	Spirolox, Retainer - Used in 4021 & 4173	1	
7	4054	Nut & Bushing Assy. PTO & 10 Speed Trans. Modification	1	
8	1024	O'Ring PTO & 10 Speed Trans. Modification (Ford #NAA953A)	1	Use to make original installation
9	1023T	Template, PTO Modification - 4 & 5 Speed Tractor Trans.	1	Use to make original installation
10	4019	Template, 10 Speed Tractor Trans.	1	
		Traction Shifting Lever Relocation		
11	1025	Spool, Shift Lever Guide - PTO Modification	1	
12	1025W	Washer 3/8 Star - PTO Modification	1	
13	1026	Pin, PTO Shift Handle	1	
14	4149	Lock, Traction Shifting Lever, 10 Speed Trans.	1	
15	1022	Drive Chain W/Connector	1	
16	4047	Connector, Drive Chain	1	
17	4237	Thrust Arm - Used with 19 Tooth Drive Sprocket #1020 or 1021	1	
17	4239	Thrust Arm - Used with 18 Tooth Drive Sprocket #4127 or 4126	1	
18	179797	Cap Screw, 1/4 x 1 x 20 - Thrust Arm Attaching	2	
19	103319	Lock Washer 1/4-Thrust Arm Attaching	2	
20	4251	Shim, Thrust Arm		
21	1300	Reinforcement Jack Assy. - Center Housing	1	
22	4250	Brace(Group) - Transfer Case	1	
23	1029	Brace	1	
24	1029B	Bolt 7/16" x 1-1/4" NF (181397)	1	
25	1050L	Lock Washer - 7/16	1	
26	1050W	Flat Washer - 7/16	1	
27	1029BK	Block	1	
28	1029BB	Bolt 7/16 x 2-3/4 NC (179869)	1	Utility Tractors Only
29	1029U	Brace, Transfer Case		
30	4172	Pedal Extension - Inching Pedal Adjustment - 10 Speed Tr. Trans.	1	
31	181436	Cap Screw - 1/2" x 2-1/4 NP	1	
32	114608	Washer, Ext. Tooth Lock 1/2"	1	
33	103028	Nut, 1/2 NF	1	
34	142359	Grooved Pin - 3/16" x 1	1	
35	1028	Shield, Drive Shaft	1	8600, 8600A, 7700, 7700A, 308
36	4025	Shield, Drive Shaft	1	1800, 1800A, 304
37	4176	Bracket, Shield Mounting	1	
38	179858	Cap Screw 7/16 x 1, NC - Bracket to Tractor	2	
39	103323	Lock Washer 7/16	2	
40	179795	Bolt 1/4 x 3/4 NC - Shield to Bracket #4176	2	
41	109084	Nut, 1/4" - Shield to Bracket #4176	2	
42	103319	Lock Washer 1/4 - Shield to Bracket #4176	2	
	4053	Pipe Plug, 1/8" - Center Housing Oil Level	1	



THIS IS THE UNIT
I HAVE WITH MY 871
D&W.
MISSING P/BLT # 25
ACTUALLY IT IS
DAMNED

MY UNIT HAS A LIMITED
SLIP UNIT ON AXED
IN PUT SHAFT,

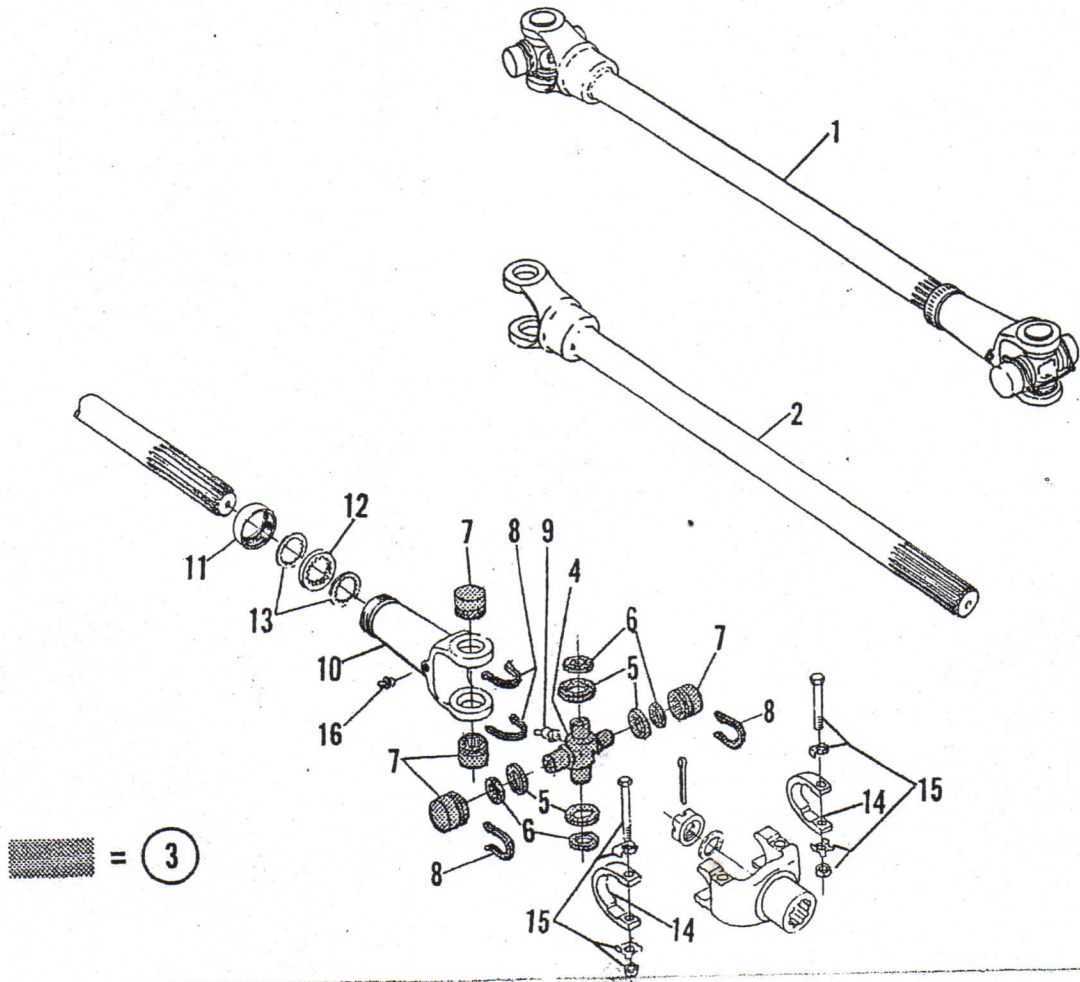


MINE HAS
17 TEETH

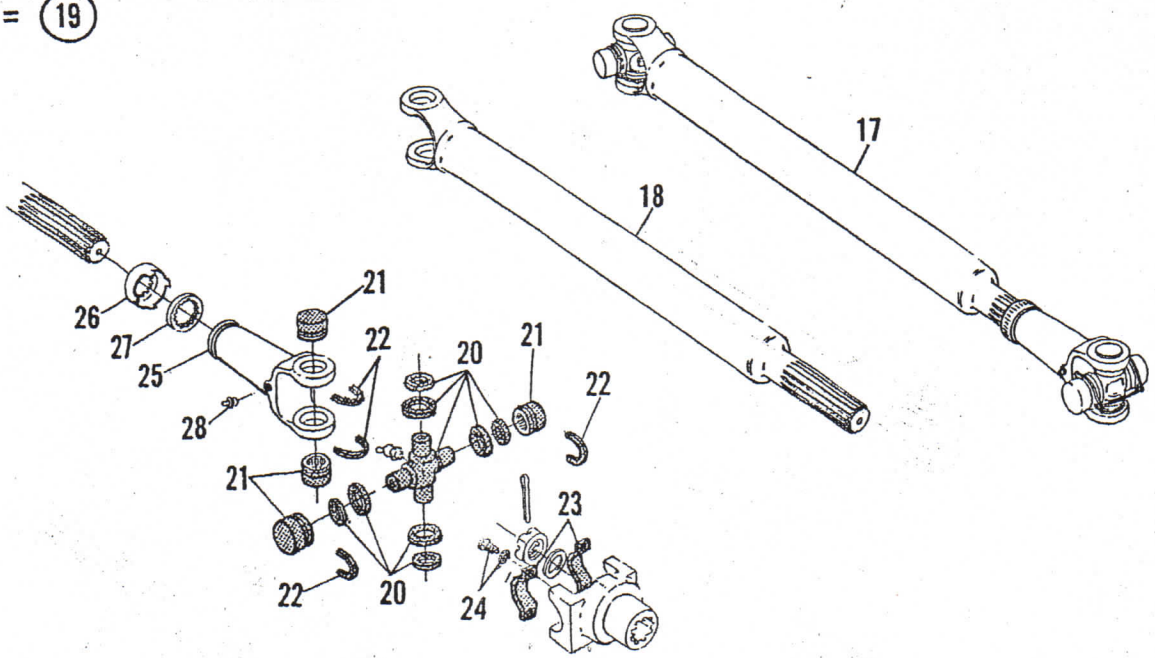
MY
CHAIN HAS
36 LINKS

* See Section 1A, Ref No. 22

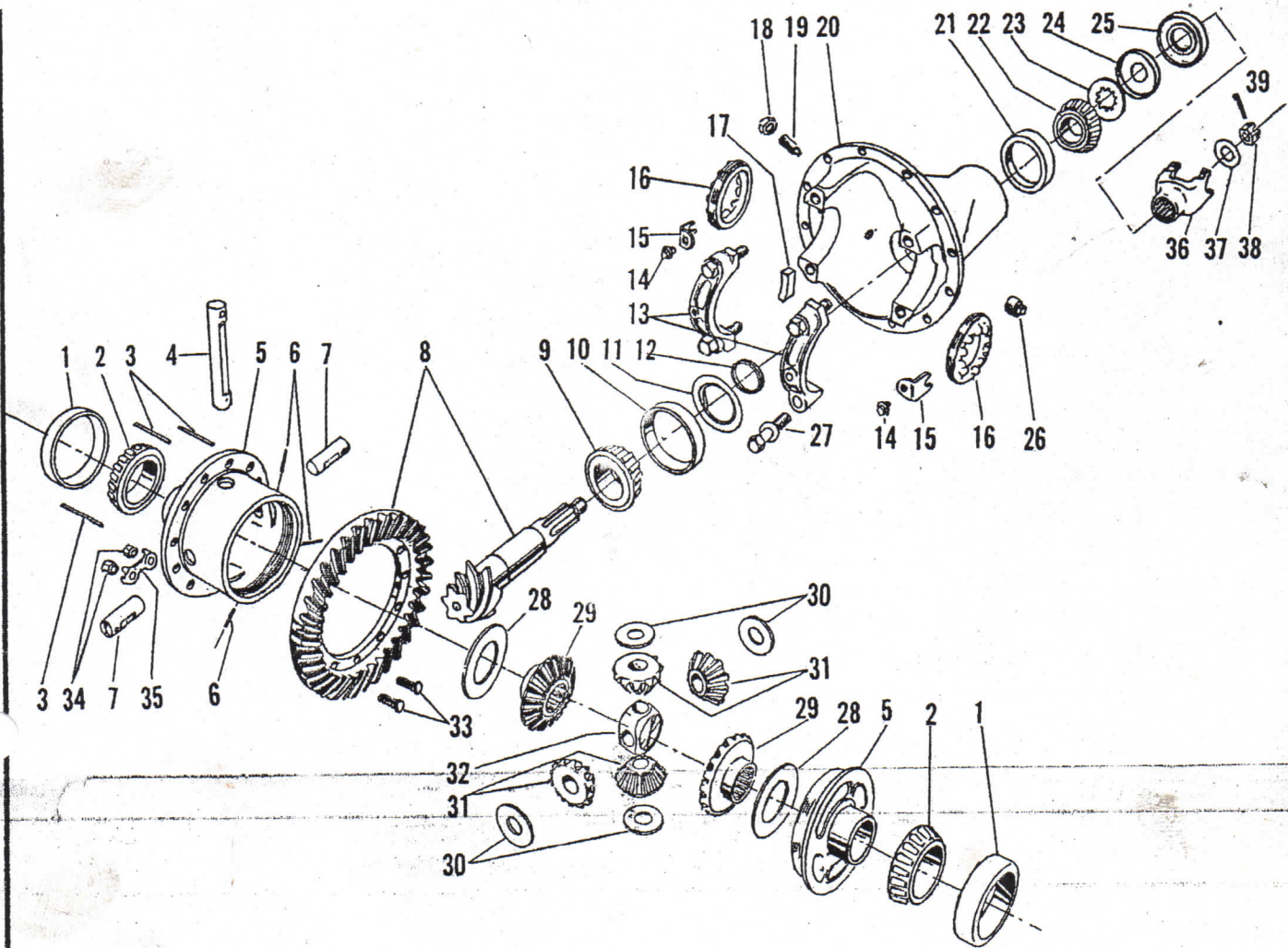
REF. NO	PART NO	PART NAME	REQ	MODEL & REMARKS
1	4175	Transfer Case Assy.	1	
2	4193	Torque Limiter Assy.	1	Serviced as Assy. only
3	4114	Seal, Rear - Transfer Case	1	
5	4113	Cone, Rear Bearing	1	
4	4112	Cup, Rear Bearing, Transfer Case	1	Used with 18T. Drive Sprocket
6	4026	Housing, Transfer Case	1	Used with 19 T. Drive Sprocket
6	4242	Housing, Transfer Case	6	
7	179862	Cap Screw, Transfer Case Mounting 7/16 x 1 1/2 NC	6	
8	103323	Lock Washer, 7/16 - Transfer Case Mounting	6	
9	4108	Cup, Front Bearing - Transfer Case	1	
10	4109	Cone, Front Bearing - Transfer Case	1	
11	4120	Thrust Washer, Front Bearing	1	
12	4107	Lock Washer, Retaining Nut	1	
13	4106	Retaining Nut, Front Bearing	1	
14	4083	Gasket, Transfer Case Cover	1	
15	4037	Cover, Transfer Case	1	
16	179795	Cap Screw, Transfer Case Cover - 1/4 x 3/4 NC	4	
17	103319	Lock Washer, 1/4" - Transfer Case Cover	4	
18	4105	Seal, Front - Transfer Case Shaft	1	
19	4077	Cap, Transfer Case	1	
20	4081	Gasket, Transfer Case Cap	1	
21	179795	Cap Screw, Transfer Case Cap - 1/4" x 3/4" NC	2	
22	179797	Cap Screw, Transfer Case Cap - 1/4" x 1" NC	2	
23	106261	Flat Washer 5/16	2	
24	103319	Lock Washer 1/4	4	
25	1019	Yoke, Transfer Case to Drive Shaft	1	
26	1017A	Washer, 3/4" Flat	1	
27	1018	Nut, 3/4" Hex SAE Thread	1	
28	103387	Cotter Pin 1/8 x 1-1/2	1	
29	1027	Gasket - Transfer Case Mounting (Ford #9N4131)		
31	4052	Transfer Case Assy.	1	8600-7700
32	4045	Transfer Case Assy.	1	1800
33	1006	Side Cover	1	
34	4065	Shim Set, Side Cover-(8) 2 each (.005), (.007), (.010), (.020)	2	
35	1012	Bearing Cone	2	
36	1011	Bearing Cup	1	
37	1001	Transfer Case Housing	1	
38	1015	Sprocket, Transfer Case, 17 Tooth	1	For installation on 600 Series Ford
38	1014	Sprocket, Transfer Case, 16 Tooth	1	
39	1013	Shaft, Transfer Case	1	
40	1010	Bearing Retainer	1	
41	1016	Oil Seal	1	
42	1003	End Cover	1	
43	1002	End Cover Gasket	1	
44	179797	Cap Screws, End Cover 1/4 x 1 NC	6	
45	103319	Lock Washer, End Cover 1/4"	6	
46	106261	Flat Washer, End Cover 5/16	2	
47	179841	Cap Screw, 3/8 x 1-1/4 N.C.	8	
48	103321	Lock Washer, Side Cover	8	
25	1019	Yoke, Transfer Case to Drive Shaft	1	8600 & 7700
49	1510	Flange, Transfer Case to Corque Limiter	1	1800 only
26	1017A	Washer 3/4" Flat	1	
27	1018	Nut - 3/4" Hex-SAE Thread	1	
28	103387	Cotter Pin 1/8 x 1-1/2	1	
29	1027	Gasket - Transfer Case Mounting (Ford #9N4131)		



■ = (3)

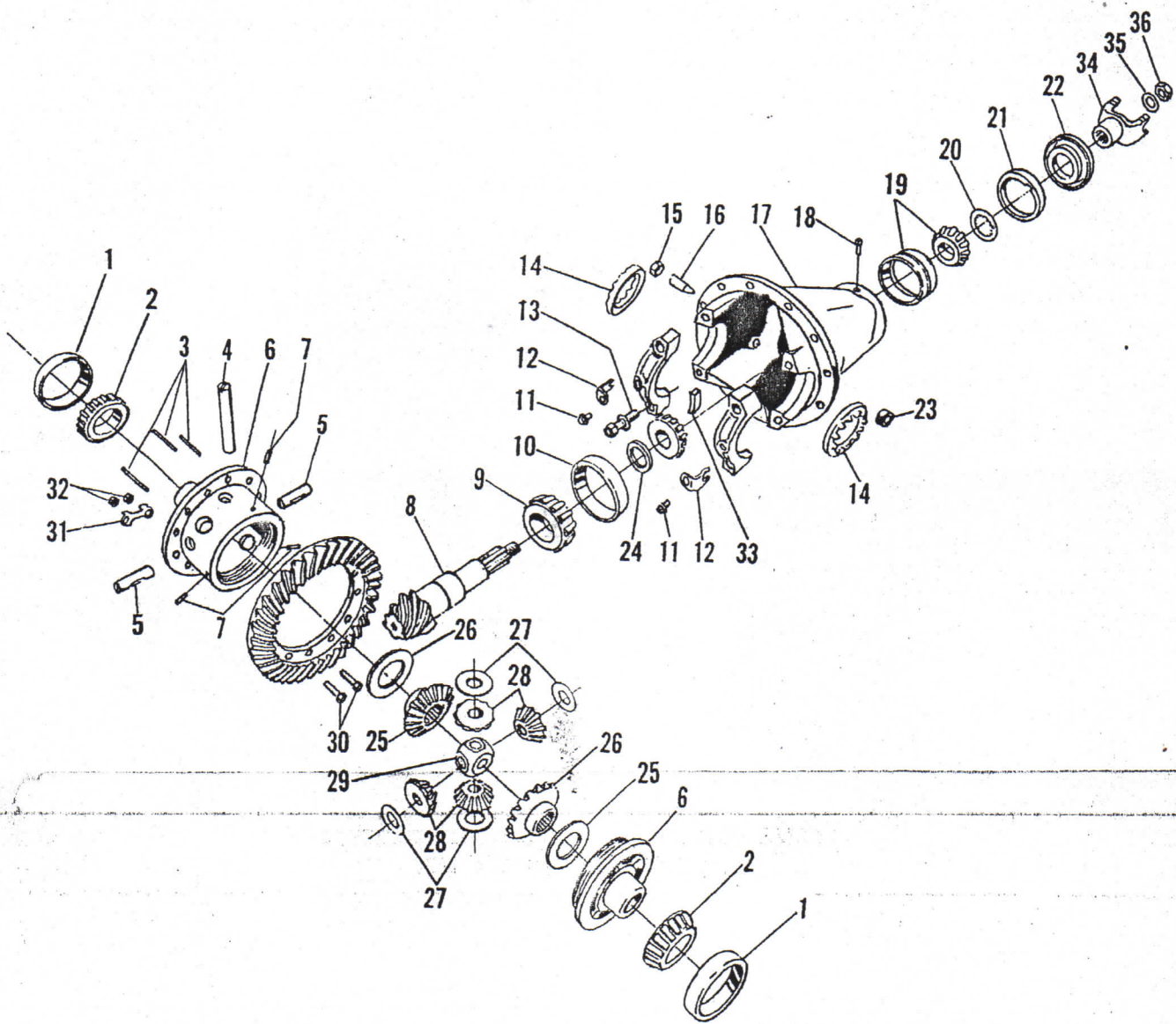


REF. NO	PART NO	PART NAME	Type	REQ	MODEL & REMARKS
1	1030*	Drive Shaft Assy. Complete	A	1	8600 Group 1, 7700 Group 1
1	4066*	Drive Shaft Assy. Complete	A	1	1800 Group 1, Model 308
1	4180*	Drive Shaft Assy. Complete	A	1	8600A Group 4, 7700 Group 4
1	4181*	Drive Shaft Assy. Complete	A	1	1800A Group 4
1	4246	Drive Shaft Assy. Complete	A	1	304
2	1045	Drive Shaft	A	1	Service Shaft for 1030 Assy.
2	4067	Drive Shaft	A	1	Service Shaft for 4066 Assy.
2	4182	Drive Shaft	A	1	Service Shaft for 4180 Assy.
2	4183	Drive Shaft	A	1	Service Shaft for 4181 Assy.
2	4243	Drive Shaft	A	1	Service Shaft for 4246 Assy.
3	1031K	Cross & Bearing Kit, Drive Shaft Univ.	A	2	Use w/1030,4066,4180,4181,4246
4	1031	Cross, Drive Shaft Univ.	A	1	Use w/1030,4066,4180,4181,4246
5	1032	Oil Seal Cup	A	4	Use w/1030,4066,4180,4181,4246
6	1033	Oil Seal Cork	A	4	Use w/1030,4066,4180,4181,4246
7	1034	Bearing	A	4	Use w/1030,4066,4180,4181,4246
8	1035	Bearing Retainer	A	4	Use w/1030,4066,4180,4181,4246
	1036	Bearing Retainer W/Drive Shaft when shipped from factory	A	4	Use w/1030,4066,4180,4181,4246
9	1037	Hydraulic Fitting, Cross	A	2	Use w/1030,4066,4180,4181,4246
10	1040	Slip Yoke	A	1	Use w/1030,4066,4180,4181,4246
11	1041	Dust Shield Cap - Slip Yoke	A	1	Use w/1030,4066,4180,4181,4246
12	1042	Dust Shield Felt	A	1	Use w/1030,4066,4180,4181,4246
13	1043	Washer, Slip Yoke	A	2	Use w/1030,4066,4180,4181,4246
14	1038	Clamps, Univ. Joint - Drive Shaft	A	4	Use w/1030,4066,4180,4181,4246
15	1039	Bolts w/Nuts & Locks	A	4	Use w/1030,4066,4180,4181,4246
16	1071	Hydraulic Fitting, Slip Joint	A	1	Use w/1030,4066,4180,4181,4246
17	4130	Drive Shaft Assy. Complete	B	1	8600 Group 2
17	4131	Drive Shaft Assy. Complete	B	1	1800 Group 2
17	4128	Drive Shaft Assy. Complete	B	1	8600 Group 3
17	4129	Drive Shaft Assy. Complete	B	1	1800 Group 3
18	4184	Drive Shaft	B	1	Service Shaft For 4130 Assy.
18	4163	Drive Shaft	B	1	Service Shaft For 4131 Assy.
18	4244	Drive Shaft	B	1	Service Shaft For 4244 Assy.
18	4245	Drive Shaft	B	1	Service Shaft For 4129 Assy.
19	4142	Cross & Bearing Kit	B	2	Use w/4130,4131,4128,4129
20		Cross, w/Oil Seal Cups & Corks	B	1	Use w/4130,4131,4128,4129
21	4143	Bearings	B	4	Use w/4130,4131,4128,4129
22	4144	Bearing Retainers	B	4	Use w/4130,4131,4128,4129
23	4145	Clamps	B	2	Use w/4130,4131,4128,4129
24	4146	Cap Screws w/Lock Washers	B	4	Use w/4130,4131,4128,4129
25	4139	Slip Yoke, Drive Shaft	B	1	Use w/4130,4131,4128,4129
26	4140	Cap, Dust Shield, Drive Shaft	B	1	Use w/4130,4131,4128,4129
27	4141	Felt, Dust Shield	B	1	Use w/4130,4131,4128,4129
28	1044	Hydraulic Fitting, Slip Yoke	B	1	Use w/4130,4131,4128,4129

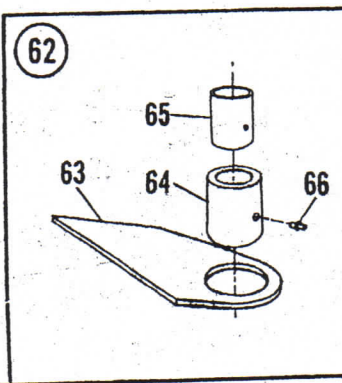
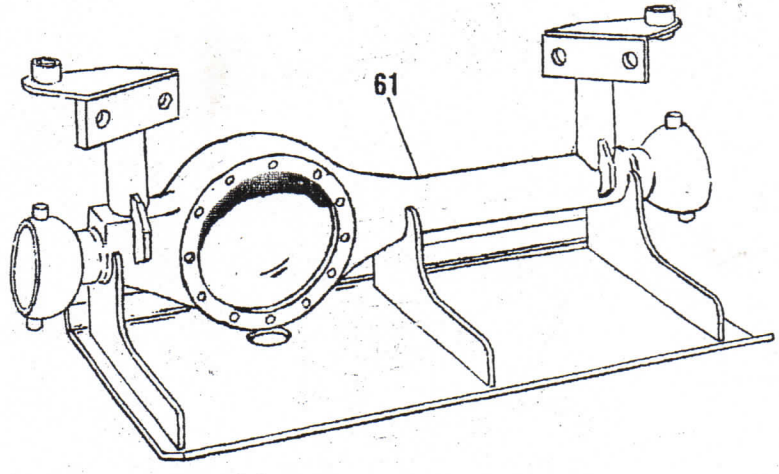
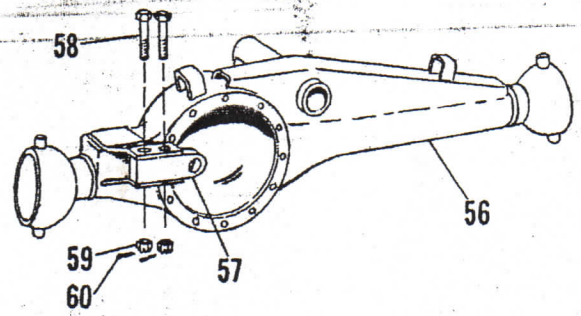
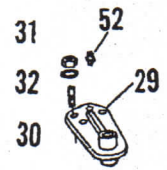
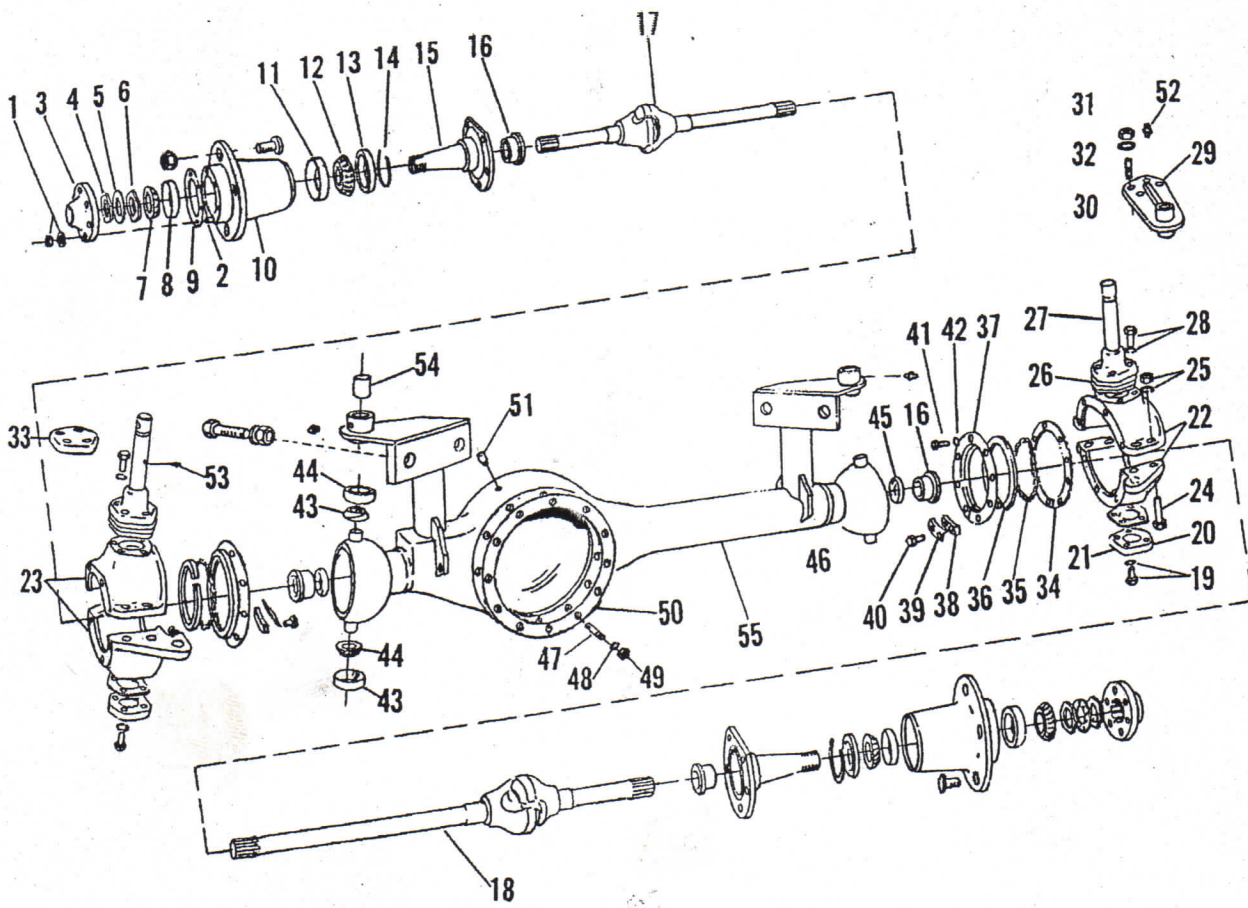


50 ft lbs on Ring gear bolts
 70 ft lbs on Carrier Bolts

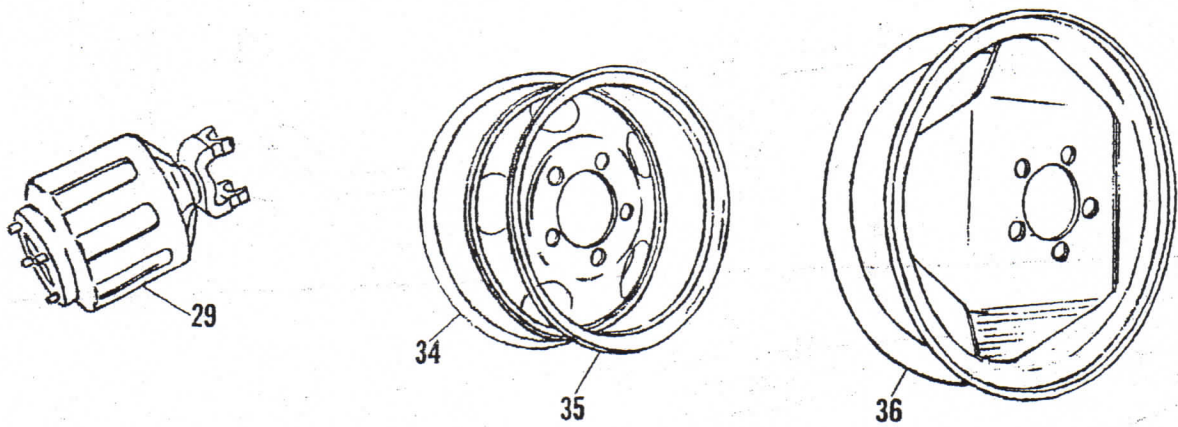
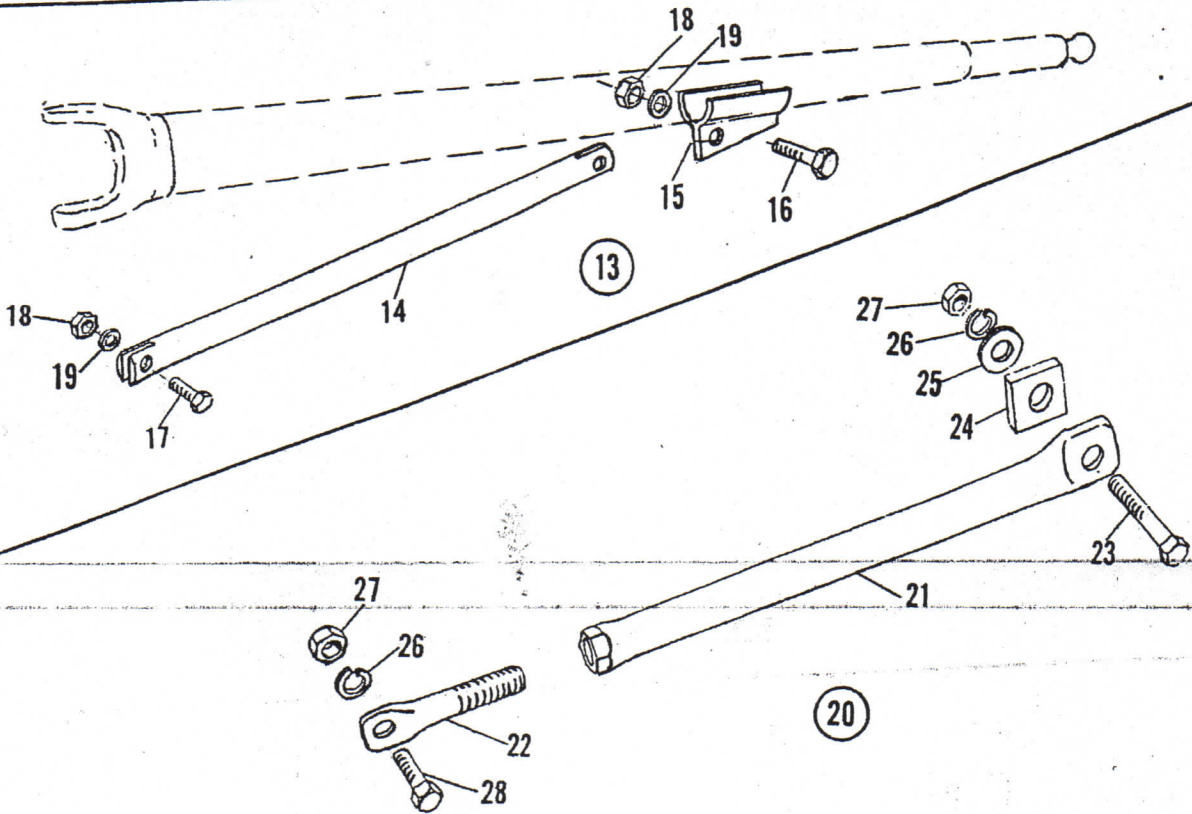
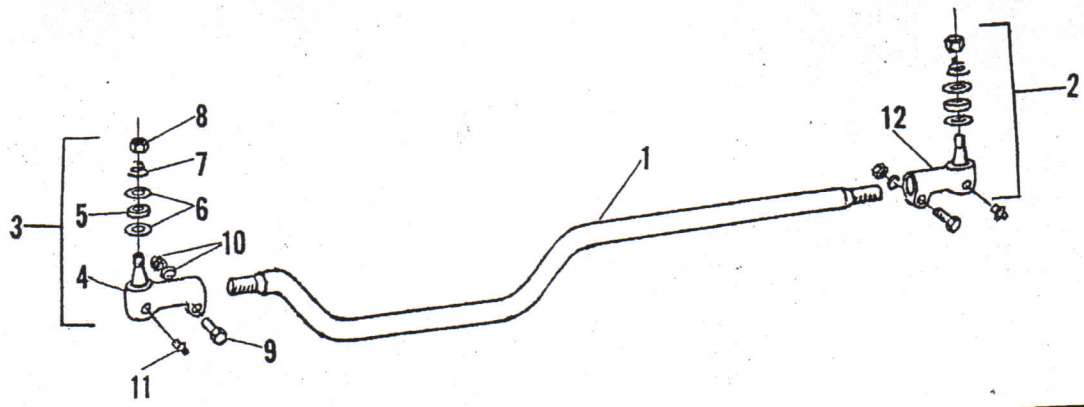
REF. NO	PART NO	PART NAME	REQ	MODEL & REMARKS
	1140	Differential Carrier Assy.(4.89:1) 3/8" Mounting Holes	1	8600 Prior to S.N. 60028122
	4068	Differential Carrier Assy.(5.83:1) 3/8" Mounting Holes	1	7700 Prior to S.N.60027063
	4069	Differential Carrier Assy.(4.89:1) 3/8" Mounting Holes	1	1800 Prior to S.N.60031138
	4084	Differential Carrier Assy.(4.89:1) 7/16" Mounting Holes	1	8600,After S.N.60028122 & All 8600A
	4085	Differential Carrier Assy.(5.83:1) 7/16" Mounting Holes	1	7700 After S.N.60027063 & All 7700A
	4086	Differential Carrier Assy.(4.89:1) 7/16" Mounting Holes	1	1800 After S.N.60031138 & All 1800A
	1174	Cup, Differential Case Bearing	2	8600-8600A,1800-1800A,7700-7700A
	1173	Cone, Differential Case	2	
	1170	Pin, Shaft Lock-Differential Pinion	3	
	1169	Shaft, Long-Differential Pinion	1	
	1165	Case & Cap, Differential (Cannot be serviced separately)	1	
	1167	Pin, Cap Retainer,-Differential	3	
	1168	Shaft, Short-Differential Pinion	2	
	1163	Ring & Pinion Dr.-4.89:1 (Not serviced separately)	1	8600-8600A - 1800, 1800A
	1164	Ring & Pinion Dr.-5.83:1 (Not serviced separately)	1	7700-7700A
	1162	Cone, Drive Pinion Bearing-Front	1	8600-8600A - 1800,1800A,7700,7700A
	1161	Cup, Drive Pinion Bearing-Front	1	
	1160	Oil Baffle-Pinion Bearing	1	
	1159	Spacer, Drive Pinion (Set of 9)	2	
	1159	Cap, Differential Carrier w/4087 o4 1149	2	
	1156	Cap Screw w/ Lock Washer	2	
	1155	Lock, Bearing Adjusting Nut	2	
	1154	Adjuster, Differential Carrier	2	
	1152	Pad, Thrust Screw-Differential Drive Pinion	1	
	1151	Nut, Thrust Screw-Differential Drive Pinion	1	
	1150	Thrust Screw-Differential Drive Pinion	1	
	4087	Carrier Case w/Bearing Caps & Bolts(7/16"Mounting Holes)	1	Service Case for 4084,4085,4086
	1149	Carrier Case w/Bearing Caps & Bolts(3/8" Mounting Holes)	1	Service Case for 1140,4068,4069
	1148	Cup, Drive Pinion Bearing-Rear	1	8600,8600A -1800,1800A-7700,7700A
	1147	Cone, Drive Pinion-Rear	1	8600,8600A -1800,1800A-7700,7700A
	1146	Washer, Drive Pinion Spline	1	
	1145	Oil Slinger-Drive Pinion	1	
	1144	Oil Seal, Front-Drive Pinion Bearing	1	
	1153	Filler Plug-3/4 Pipe Thread	1	
	1158	Cap Screw w/Lock Washer, Carrier Cap	4	
	1176	Thrust Washer, Differential Side Gear	2	
	1177	Gear, Side Differential	2	
	1179	Thrust Washer, Diff. Pinion Gears	4	
	1178	Gear, Differential Pinion	4	
	1180	Block, Thrust-Differential Pinion	1	
	1175	Bolt, Drive Gear	12	
	1172	Nut, Drive Gear Bolt	6	
	1171	Lock, Driver Gear Bolt Nut	1	8600A, 7700A, 1800, 1800A
	1019	Yoke, Drive Shaft	1	
	1142	Washer-Pinion Shaft	1	
	1141	Nut-Pinion Shaft	1	
	103387	Cotter Pin 1/8 x 1-1/2	1	8600, 7700
	1510	Adapter Flange	1	



REF. NO	PART NO	PART NAME	REQ	MODEL & REMARKS
	4179	Differential Carrier Assy.	1	
1	4221	Cup, Differential Bearing	2	
2	4220	Cone, Differential Bearing	2	
3	4197	Pin, Diff. Pinion Lock	3	
4	4204	Shaft-Differential Pinion (Long)	1	
5	4225	Shaft-Differential Pinion (Short)	2	
6	4228	Case & Cap (Not serviced separately)	1	
7	4198	Pin, Cap Locking - Diff Case	3	
8	4235	Ring & Pinion Gear Set	1	Not serviced separately
9	4224	Cone, Rear Bearing, Diff. Pinion	1	
10	4199	Cup, Rear Bearing, Diff. Pinion	1	
11	1156	Cap Screw w/Lock Washer-Bearing Adjuster Lock	2	
12	4205	Lock, Differential Bearing Adjuster	2	
13	4206	Screw, Differential Bearing Cap	2	
14	4222	Adjuster, Differential Bearing	2	
15	4231	Nut, Thrust Screw Lock-Drive Gear	1	
16	4207	Screw, Thrust-Drive Gear	1	
17	4219	Carrier Case w/Bearing Caps & Bolts	1	Not serviced separately
18	102883	Set Screw, Dr.Pin.Brg.Ret. Lock 5/16" x 3/4" x 18	1	
19	4223	Bearing Assy.-Dr. Pinion Front	1	Not serviced separately
20	4209	Washer-Drive Pinion Front Bearing	1	
21	4200	Nut, Retainer-Drive Pinion Bearing	1	
22	4227	Oil Seal, Drive Pinion Bearing	1	
23	1153	Filler Plug	1	
24	4210	Spacer, Drive Pinion Bearing .179		
24	4211	Spacer, Drive Pinion Bearing .181		
24	4212	Spacer, Drive Pinion Bearing .183		
24	4213	Spacer, Drive Pinion Bearing .185		
24	4214	Spacer, Drive Pinion Bearing .187		
24	4215	Spacer, Drive Pinion Bearing .189		
24	4216	Spacer, Drive Pinion Bearing .191		
24	4217	Spacer, Drive Pinion Bearing .193		
25	4218	Thrust Washer-Differential Side Gear	2	
26	4229	Gear, Side - Differential	2	
27	4203	Thrust Washer-Diff. Pinion Gear	4	
28	4230	Gear, Pinion, Differential	4	
29	4226	Block, Thrust, Diff. Pinion Shaft	1	
30	4202	Bolts, Dr. Gear Mounting	12	
31	4201	Lock, Drive Gear Bolt Nut	6	
32	4234	Nut, Drive Gear Bolt	12	
33	4208	Pad, Drive Gear-Thrust Screw	1	
34	1019	Yoke, Drive Pinion	1	
35	4232	Washer, Drive Pinion Yoke	1	
36	4234	Nut, Drive Pinion Yoke	1	

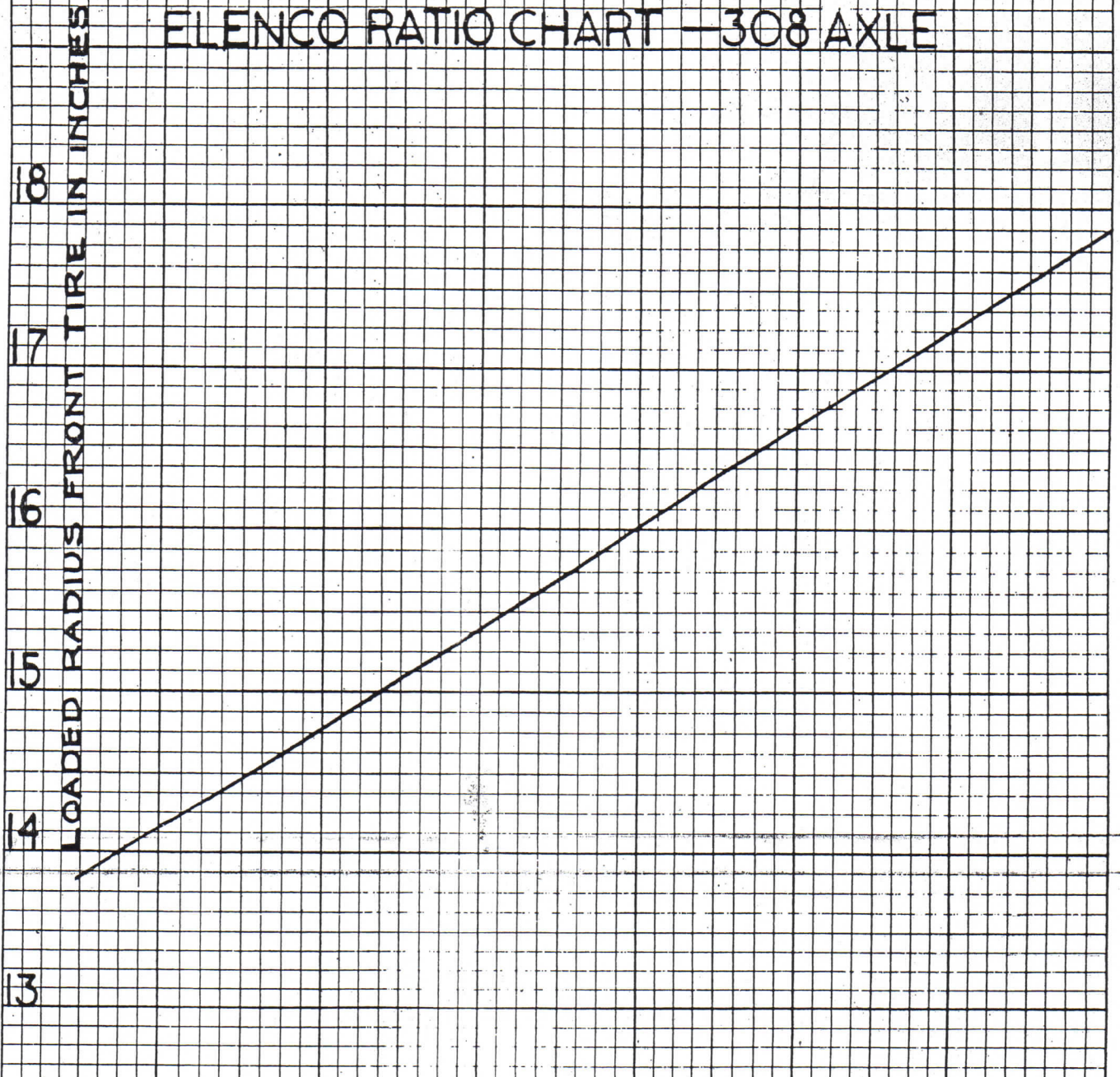


REF. NO	PART NO	PART NAME	REQ	MODEL & REMARKS
1	1085	Nut & Lock Washer, Drive Cap Stud	12	
2	1087	Stud, Drive Cap	12	
3	1084	Drive Cap	2	
4	1082	Nut - Wheel Bearing Adjustment-Outer	2	
5	1086	Lock-Wheel Bearing Adjusting Nut	2	
6	1081	Nut & Pin - Wheel Bearing Adjustment-Inner	2	
7	1089	Cone-Outer Wheel Bearing	2	
8	1093	Cup, Bearing-Outer Wheel Hub	2	
9	1083	Gasket, Drive Cap	2	
10	1082	Hub, Wheel	2	
11	1116A	Cup, Bearing-Inner Wheel Hub	2	
12	1116	Cone-Inner Wheel Bearing	2	
13	1095	Oil Seal - Wheel Bearing	2	
14	1131	Snap Ring, Retainer-Oil Seal-Wheel Bearing	2	
15	1091	Spindle, w/Bushing	4	
16	1096	Oil Bushing-Spindle & Housing	1	
17	1132S	Universal Drive Axle Assy.(Short) Leftside	1	8600,8600A,7700,7700A-308
18	1132L	Universal Drive Axle Assy.(Long) Right side	1	1800,1800A,304
18	4076	Universal Drive Axle Assy.(Long) Right Side	8	
19	1119	Cap Screw w/Lock Washer, Bearing Cap-Lower	2	
20	1121	Cap, Lower Bearing-Steering Knuckle	2	
21	1118	Gasket, Bearing Cap-Lower-Steering Knuckle	1	
22	1117	Steering Knuckle, Right set	1	
23	1097	Steering Knuckle, Left Set	8	
24	1135	Bolt, Steering Knuckle	8	
25	1120	Nut w/washer-Steering Knuckle	2	
26	4103	Shim Set-Cap Extension- 1 ga. .007 - .009 - .020	2	8600,8600A - 7700,7700A - 308
27	4135	Cap Extension, Steering Knuckle	8	8600,8600A - 7700,7700A - 308
28	4252	Cap Screw, w/Lock Washer-Cap extension	1	1800,1800A, 304
29	4023	Steering Arm, Steering Knuckle-Right Side(Use Shim Ser 4103)	4	1800,1800A, 304
30	4060	Stud, Steering Arm - 1/2" Special	4	1800,1800A, 304
31	102637	Nut, Steering Arm - 1/2 x 20	4	1800,1800A, 304
32	103323	Lock Washer, Steering Arm Stud	1	1800,1800A, 304
33	1121	Cap, Steering Knuckle-Upper-Left Side	2	
34	1126	Gasket, Oil Seal Retainer-Steering SKnuckle	2	
35	4078	Spring, Felt Pressure	2	
36	1124	Felt, Oil Seal-Steering Knuckle	2	
37	1125	Retainer, Oil Seal Felt-Steering Knuckle	2	
38	1104	Felt, Joint-Steering Knuckle Retainer	2	
39	1105	Joint, Retainer-Steering Knuckle Retainers	4	
40	1107	Cap Screw, Joint Retainer 5/16 x 18 x 5/8	12	
41	179812	Cap Screw, Steering Knuckle Retainer	16	
42	103320	Lock Washer, 5/16, Steering Knuckle Retainer	4	
43	1122	Cup, Bearing-Steering Knuckle Pivot	4	Bronze Bearing #1099 Discontinued
44	1123	Cone, Bearing-Steering Knuckle Pivot	2	
45	1112	Oil Seal-Axle Shaft	2	
46	1100	Plug, Lubricant-Bell End-Axle Shaft Univ. Joint	12	Use w/1140,4068,4069 Carrier
47	1182	Stud, Differential Carrier 3/8"	12	Use w/1140,4068,4069 Carrier
48	1181	Nut, Differential Carrier Stud 3/8"	12	Use w/1140,4068,4069 Carrier
49	1183	Washer Lock, Differential Carrier Stud 3/8"	12	Use w/4084,4085,4086,4179 Carrier
47	4095	Stud, Differential Carrier 7/16	12	Use w/4084,4085,4086,4179 Carrier
48	4096	Lock Washer, Differential Carrier 7/16	12	Use w/4084,4085,4086,4179 Carrier
49	4094	Nut, Differential Carrier Stud 7/16	1	Not used on Current Models
	1139	Cover, Axle Housing w/Drain Plug	1	
50	1137	Gasket, Differential Carrier	1	
51	1136	Vent, Axle Housing		
52	1071	Grease Fitting, Lubrication (Large)		
53	1073	Grease Fitting, Lubrication(Small)		
54	4124	Bushing Cap Extension Bearing	2	8600,8600A,7700,7700A,308
55	4247	Housing, Axle	1	308
56	4248	Housing, Axle	1	304
57	4164	Ram Mount	1	304
58	271593	Bolt 5/8 x 3-1/2 NF Ram Mount	2	304
59	102649	Nut, 5/8 NF Slotted	2	304
60	103387	Cotter Pin 1/8 x 1-1/2	2	304
61	4249	Housing, Axle w/skid plate	1	308
62	4136	Bearing Bracket Kit (For up-dating old type bracket)	2	8600, 7700
63	4125	Bracket, Top Plate	2	8600, 7700
64	4123	Bearing	2	8600, 7700
65	4124	Bushing	2	8600, 7700
66	1073	Grease Fitting	2	8600, 7700



REF. NO	PART NO	PART NAME	REQ	MODEL & REMARKS
1	1130	Tie Rod (Without ends)	1	8600, 8600A, 7700, 7700A
1	4075	Tie Rod (Without ends)	1	1800, 1800A
1	4240	Tie Rod (Without ends)	1	308
1	4175	Tie Rod (Without ends)	1	304
2	4098	End Assy., Tie Rod, Right Hand	1	
3	4099	End Assy., Tie Rod, Left Hand	1	
4	1127L	End, Tie Rod End, Left Hand	1	
5	1128	Cover, Tie Rod End, Dust Seal	1	
6	1115	Washer, Tie Rod End	2	
7	1114	Spring, Tie Rod End, Dust Seal	1	
8	1113	Nut, Tie Rod End	1	
9	1129	Bolt, Tie Rod End, Clamp	1	
10	1134	Nut w/Washer Tie Rod End Clamp	1	
11	1071	Hydraulic Grease Fitting	1	
12	1127R	End, Tie Rod, Right Hand	1	
13	4253	Radius Rod Brace Assy.	1	308
14	4254	Rod	1	308
15	4255	Saddle	1	308
16	179890	Bolt, 1/2 x 2-1/4 NC	1	308
17	179885	Bolt, 1/2 x 1-1/2 NC	1	308
18	102637	Nut, 1/2" NC	2	308
19	103323	Washer, Lock 1/2"	2	308
20	1046	Radius Rod Brace Assy.	2	8600, 8600A, 7700, 7700A
21	1047	Tube	1	8600, 8600A, 7700, 7700A
22	1051	Adjusting End	1	8600, 8600A, 7700, 7700A
23	1048	Bolt, 5/8 x 3-1/4 NF	1	8600, 8600A, 7700, 7700A
24	1047B	Block	1	8600, 8600A, 7700, 7700A
25	1050W	Washer Flat 5/8	1	8600, 8600A, 7700, 7700A
26	1050	Washer Lock 5/8	2	8600, 8600A, 7700, 7700A
27	1049	Nut, 5/8	2	8600, 8600A, 7700, 7700A
28	1053	Bolt, 5/8	1	8600, 8600A, 7700, 7700A
29	1500	Torque Limiter	1	8600, 7700, 1800
30	1508	Studs	4	8600, 7700, 1800
31	102635	Nut, 3/8 Hex	4	8600, 7700, 1800
32	111328	Washer, Lock	4	8600, 7700, 1800
33	1512	Dowel Pins, Torque Limiter Flange	2	8600, 7700, 1800
34	1401	Wheel 16" Budd	2	8600, 8600A-1800, 1800A-304, 308
35	1402	Lock Ring	2	8600, 8600A-1800, 1800A-304, 308
36	4010	Wheel, 7" x 24" Elenco	2	7700, 7700A

ELENCO RATIO CHART — 308 AXLE



LOADED RADIUS REAR TIRE IN INCHES

22

23

24

25

26

27

TRACTOR - 800

SPROCKET RATIO 19:15

FRONT RATIO 5.83:1

REAR RATIO 7.17:1

1.56:1

4-3-62